

## FN-300ULX Data Sheet

Rev. FN-300ULX- J20E



### Overview

- This power supply/charger converts a 115VAC / 60Hz input, to a 12VDC or 24VDC regulating output.

### FN-300ULX

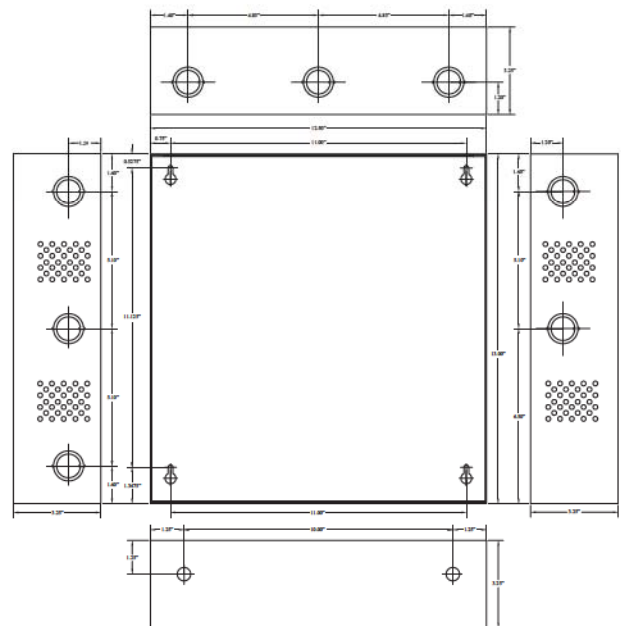
- 12VDC or 24VDC @ 2.5 amp.

### Specifications

- Input 115VAC / 60Hz, 1.45 amp.
- 12VDC or 24VDC selectable output.
- Class 2 Rated power limited output.
- Input fuse rated @ 3.5 amp/250V.
- Filtered and electronically regulated output.
- Short circuit and thermal overload protection.
- AC fail supervision (form "C" contacts).
- Low battery supervision (form "C" contacts).
- Battery presence supervision (form "C" contacts).
- Built-in charger for sealed lead acid or gel type batteries.
- Automatic switch over to stand-by battery when AC fails.
- Maximum charge current .7 amp.
- Zero voltage drop when switched over to battery backup.
- AC input and DC output LED indicators.
- Accommodates up to two (2) 12VDC/7AH batteries.
- Power supply, enclosure, cam lock and battery leads.

### Enclosure Dimensions

13"H x 13.5"W x 3.25"D



### Agency Approvals



- |         |                                                                           |
|---------|---------------------------------------------------------------------------|
| UL 294  | UL Listed for Access Control System Units.                                |
| UL 603  | UL Listed Standard for Power Supplies for Use with Burglar-Alarm Systems. |
| UL 1069 | UL Listed Hospital Signaling and Nurse Call Equipment.                    |
| UL 1481 | UL Listed Standard for Safety for Fire Protective Signaling Systems.      |

**MEA**  
Approved

MEA - NYC Department of Buildings Approved.



CSFM - California State Fire Marshal Approved.